



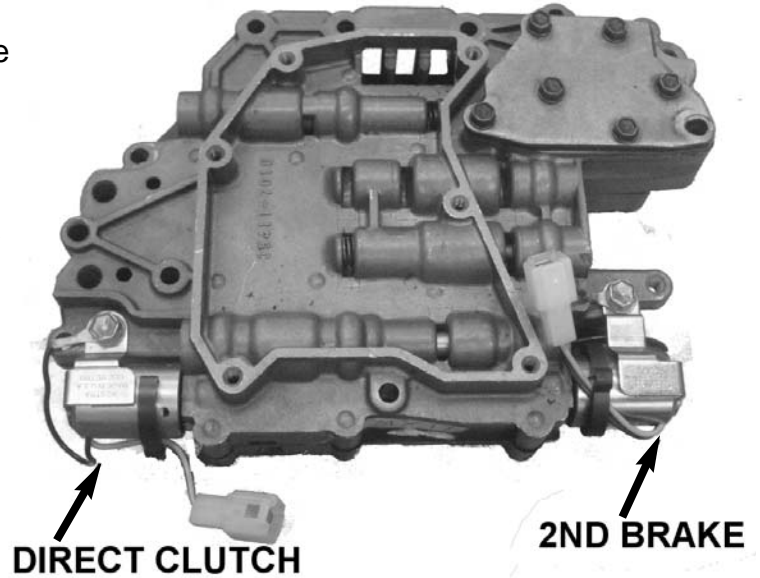
MX-17, A-210 Solenoid Installation Instructions

Rostra Precision Controls, Inc. 2519 Dana Dr., Laurinburg, NC 28352 800-782-3379 www.rostra.com

1. Remove old solenoid(s).
2. Insert new solenoid into the valve body.
3. Break mounting bracket by bending with pliers at the score line and discard unused portion. See Below.
4. Slide bracket over solenoid locating post.
5. While holding bracket in position, insert bracket mounting bolt through black ground wire terminal, and tighten securely. Be certain there is no end play between the solenoid and mounting bracket.

Keep this side
for Direct Clutch

Keep this side
for 2nd Brake



FORM #4647, REV. D, 10-03-08



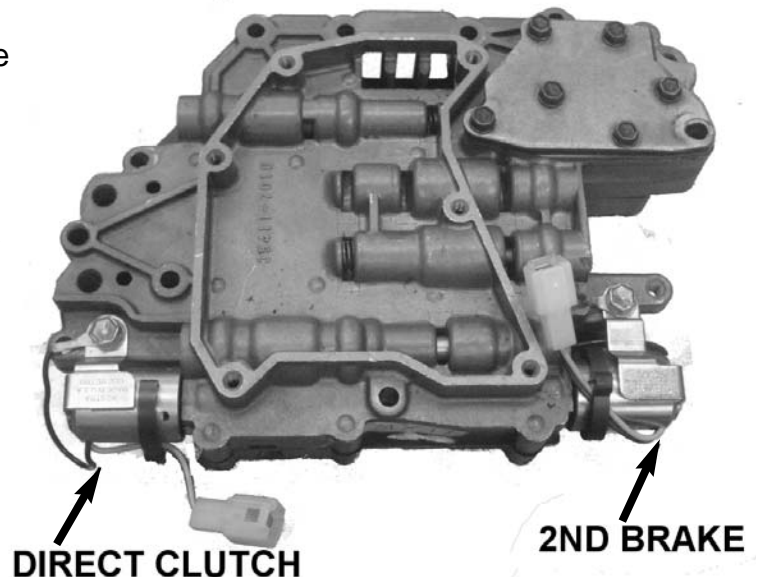
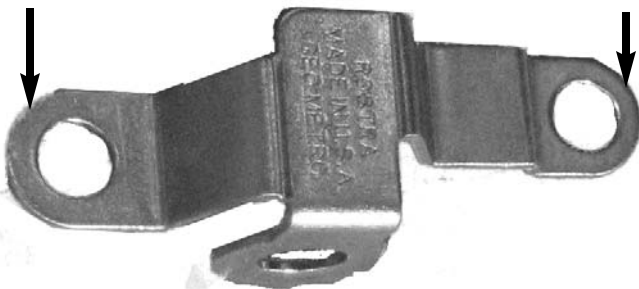
MX-17, A-210 Solenoid Installation Instructions

Rostra Precision Controls, Inc. 2519 Dana Dr., Laurinburg, NC 28352 800-782-3379 www.rostra.com

1. Remove old solenoid(s).
2. Insert new solenoid into the valve body.
3. Break mounting bracket by bending with pliers at the score line and discard unused portion. See Below.
4. Slide bracket over solenoid locating post.
5. While holding bracket in position, insert bracket mounting bolt through black ground wire terminal, and tighten securely. Be certain there is no end play between the solenoid and mounting bracket.

Keep this side
for Direct Clutch

Keep this side
for 2nd Brake



FORM #4647, REV. D, 10-03-08