

### Installation Instructions for 1996-up GM 4L60E 3/2 Downshift Solenoid

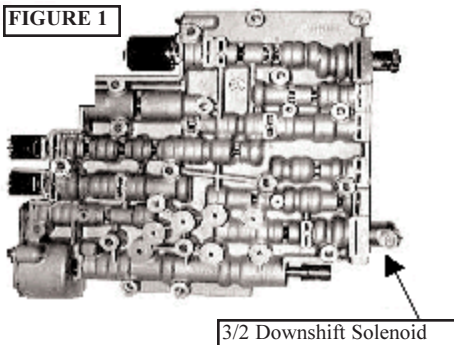
1. Locate the **3/2 Downshift Solenoid** in the valve body as shown in **FIGURE 1**.
2. Unplug transmission wire harness from old solenoid.
3. Remove old solenoid from the valve body by removing the hairpin style **SPRING-CLIP**. See **FIGURE 2**.

**CAUTION! SPRING-CLIP MAY EJECT SUDDENLY. USE PROTECTIVE EYEWEAR.**

4. Insert new solenoid into valve body and connect to wire harness.
5. Replace **SPRING-CLIP** in valve body. Ensure it is fully seated.

**NOTE: This is an ON/OFF type solenoid. Do not substitute this unit for a P.W.M. type solenoid. Permanent damage to the transmission or ECM may occur.**

Form #4295, Rev. C, 11-30-01



3/2 Downshift Solenoid

Spring-Clip



FIGURE 2

### Installation Instructions for 1996-up GM 4L60E 3/2 Downshift Solenoid

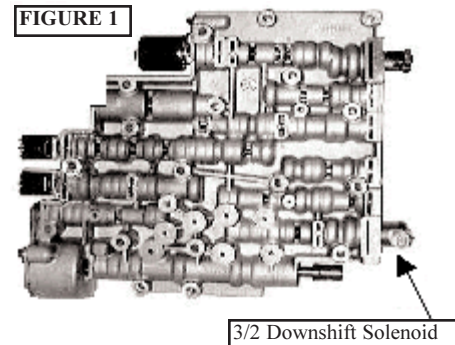
1. Locate the **3/2 Downshift Solenoid** in the valve body as shown in **FIGURE 1**.
2. Unplug transmission wire harness from old solenoid.
3. Remove old solenoid from the valve body by removing the hairpin style **SPRING-CLIP**. See **FIGURE 2**.

**CAUTION! SPRING-CLIP MAY EJECT SUDDENLY. USE PROTECTIVE EYEWEAR.**

4. Insert new solenoid into valve body and connect to wire harness.
5. Replace **SPRING-CLIP** in valve body. Ensure it is fully seated.

**NOTE: This is an ON/OFF type solenoid. Do not substitute this unit for a P.W.M. type solenoid. Permanent damage to the transmission or ECM may occur.**

Form #4295, Rev. C, 11-30-01



3/2 Downshift Solenoid

Spring-Clip



FIGURE 2

### Installation Instructions for 1996-up GM 4L60E 3/2 Downshift Solenoid

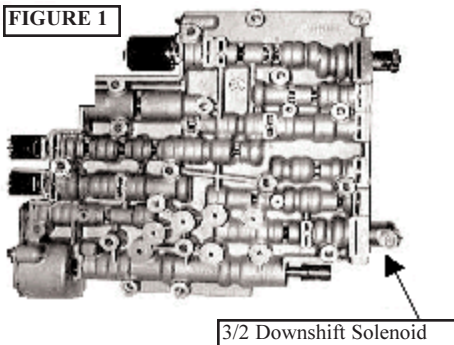
1. Locate the **3/2 Downshift Solenoid** in the valve body as shown in **FIGURE 1**.
2. Unplug transmission wire harness from old solenoid.
3. Remove old solenoid from the valve body by removing the hairpin style **SPRING-CLIP**. See **FIGURE 2**.

**CAUTION! SPRING-CLIP MAY EJECT SUDDENLY. USE PROTECTIVE EYEWEAR.**

4. Insert new solenoid into valve body and connect to wire harness.
5. Replace **SPRING-CLIP** in valve body. Ensure it is fully seated.

**NOTE: This is an ON/OFF type solenoid. Do not substitute this unit for a P.W.M. type solenoid. Permanent damage to the transmission or ECM may occur.**

Form #4295, Rev. C, 11-30-01



3/2 Downshift Solenoid

Spring-Clip



FIGURE 2

### Installation Instructions for 1996-up GM 4L60E 3/2 Downshift Solenoid

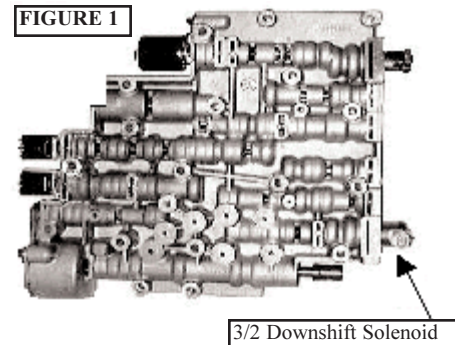
1. Locate the **3/2 Downshift Solenoid** in the valve body as shown in **FIGURE 1**.
2. Unplug transmission wire harness from old solenoid.
3. Remove old solenoid from the valve body by removing the hairpin style **SPRING-CLIP**. See **FIGURE 2**.

**CAUTION! SPRING-CLIP MAY EJECT SUDDENLY. USE PROTECTIVE EYEWEAR.**

4. Insert new solenoid into valve body and connect to wire harness.
5. Replace **SPRING-CLIP** in valve body. Ensure it is fully seated.

**NOTE: This is an ON/OFF type solenoid. Do not substitute this unit for a P.W.M. type solenoid. Permanent damage to the transmission or ECM may occur.**

Form #4295, Rev. C, 11-30-01



3/2 Downshift Solenoid

Spring-Clip



FIGURE 2