

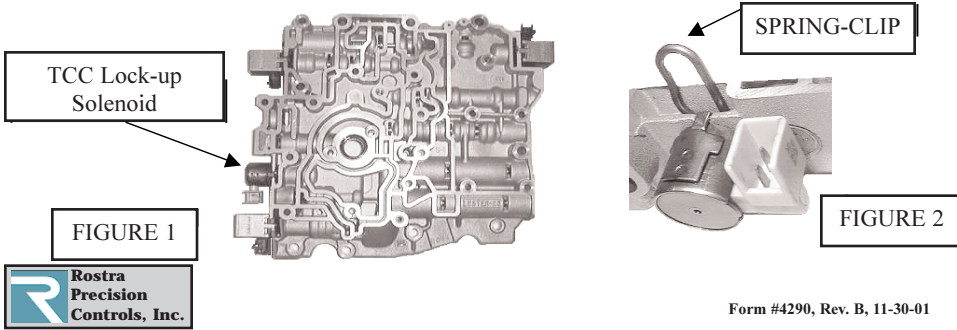
Installation Instructions for 1991-up GM 4T60E
Torque Converter Clutch Solenoid

1. Locate the **TCC lock-up solenoid** in the valve body as illustrated in **FIGURE 1**.
2. Unplug transmission wire harness from old solenoid.
3. Remove old solenoid from the valve body by removing the hairpin style **SPRING-CLIP** shown in **FIGURE 2**.

CAUTION! SPRING-CLIP MAY EJECT SUDDENLY. USE PROTECTIVE EYEWEAR.

4. Insert new solenoid into valve body and connect to wire harness.
5. Replace **SPRING-CLIP** in valve body. Ensure it is fully seated.

NOTE: This is a P.W.M. lock-up type solenoid. Do not substitute this unit for an on/off type solenoid. Permanent damage to the transmission or ECM may occur.



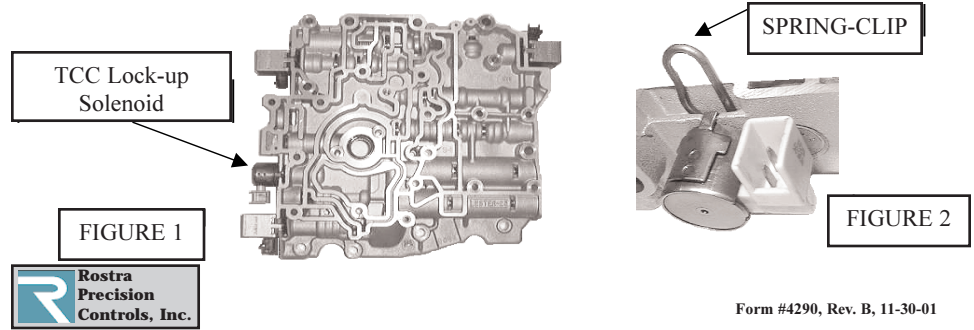
Installation Instructions for 1991-up GM 4T60E
Torque Converter Clutch Solenoid

1. Locate the **TCC lock-up solenoid** in the valve body as illustrated in **FIGURE 1**.
2. Unplug transmission wire harness from old solenoid.
3. Remove old solenoid from the valve body by removing the hairpin style **SPRING-CLIP** shown in **FIGURE 2**.

CAUTION! SPRING-CLIP MAY EJECT SUDDENLY. USE PROTECTIVE EYEWEAR.

4. Insert new solenoid into valve body and connect to wire harness.
5. Replace **SPRING-CLIP** in valve body. Ensure it is fully seated.

NOTE: This is a P.W.M. lock-up type solenoid. Do not substitute this unit for an on/off type solenoid. Permanent damage to the transmission or ECM may occur.



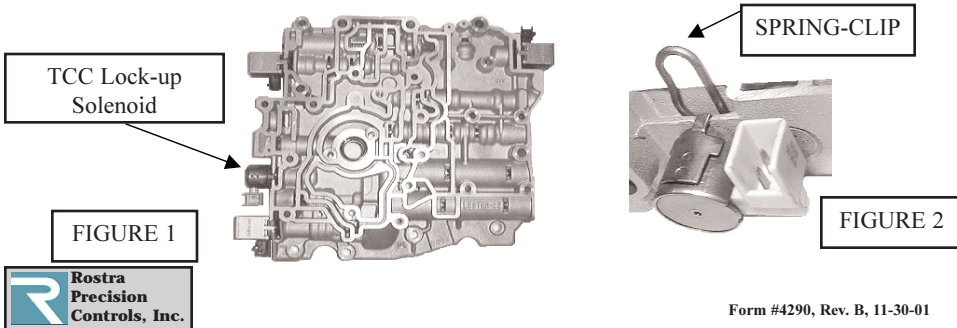
Installation Instructions for 1991-up GM 4T60E
Torque Converter Clutch Solenoid

1. Locate the **TCC lock-up solenoid** in the valve body as illustrated in **FIGURE 1**.
2. Unplug transmission wire harness from old solenoid.
3. Remove old solenoid from the valve body by removing the hairpin style **SPRING-CLIP** shown in **FIGURE 2**.

CAUTION! SPRING-CLIP MAY EJECT SUDDENLY. USE PROTECTIVE EYEWEAR.

4. Insert new solenoid into valve body and connect to wire harness.
5. Replace **SPRING-CLIP** in valve body. Ensure it is fully seated.

NOTE: This is a P.W.M. lock-up type solenoid. Do not substitute this unit for an on/off type solenoid. Permanent damage to the transmission or ECM may occur.



Installation Instructions for 1991-up GM 4T60E
Torque Converter Clutch Solenoid

1. Locate the **TCC lock-up solenoid** in the valve body as illustrated in **FIGURE 1**.
2. Unplug transmission wire harness from old solenoid.
3. Remove old solenoid from the valve body by removing the hairpin style **SPRING-CLIP** shown in **FIGURE 2**.

CAUTION! SPRING-CLIP MAY EJECT SUDDENLY. USE PROTECTIVE EYEWEAR.

4. Insert new solenoid into valve body and connect to wire harness.
5. Replace **SPRING-CLIP** in valve body. Ensure it is fully seated.

NOTE: This is a P.W.M. lock-up type solenoid. Do not substitute this unit for an on/off type solenoid. Permanent damage to the transmission or ECM may occur.

